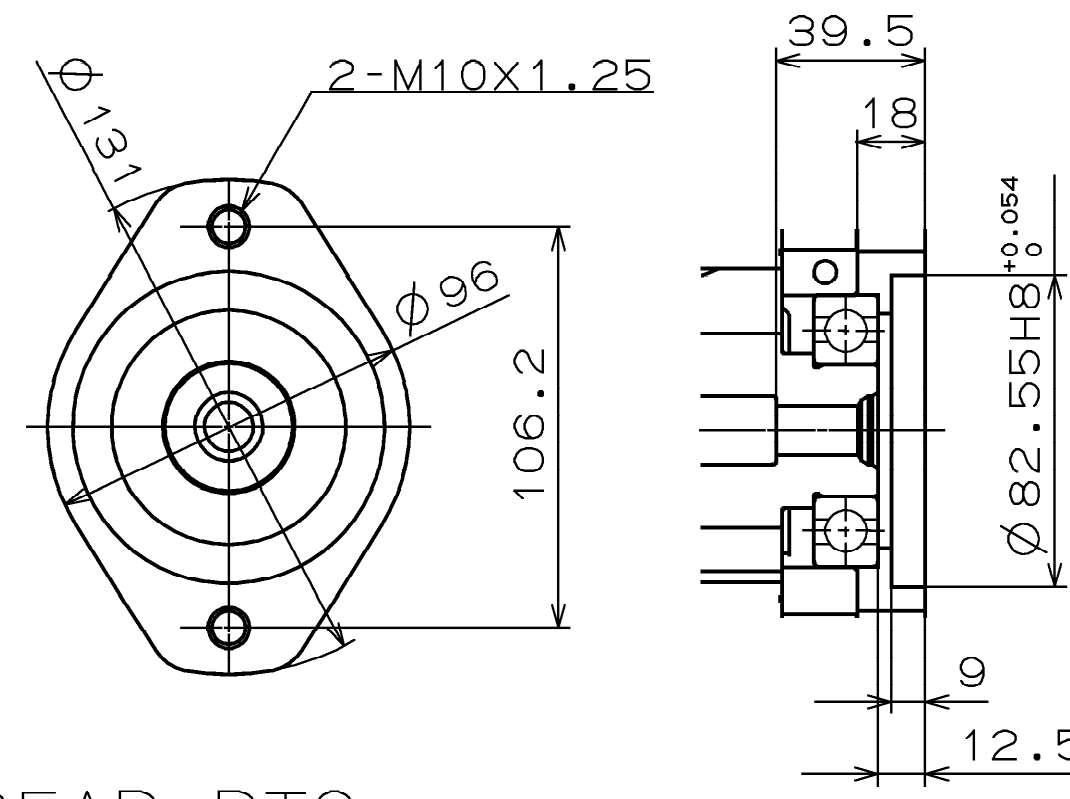


ISUZU 4LE1 DIESEL ENGINE

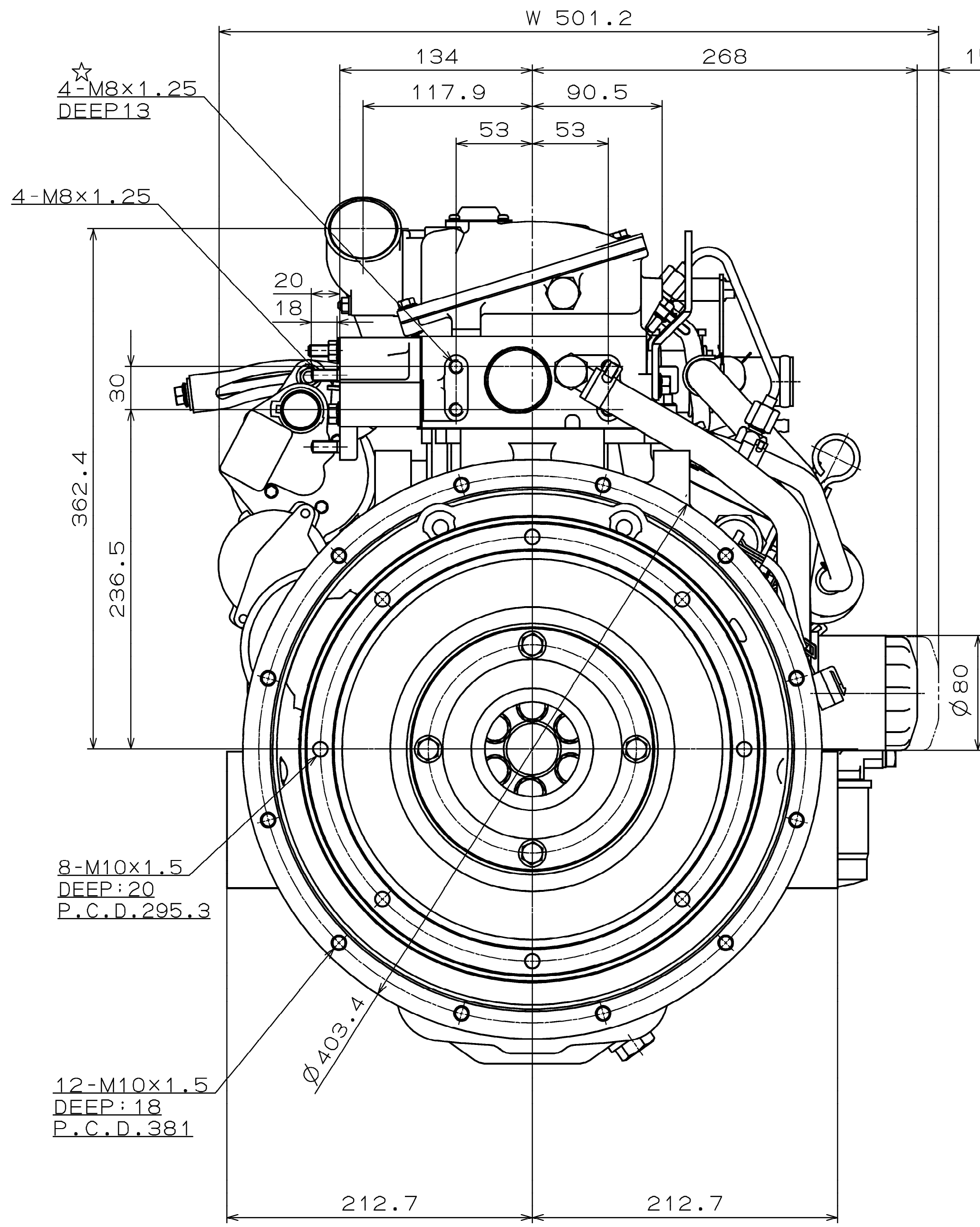
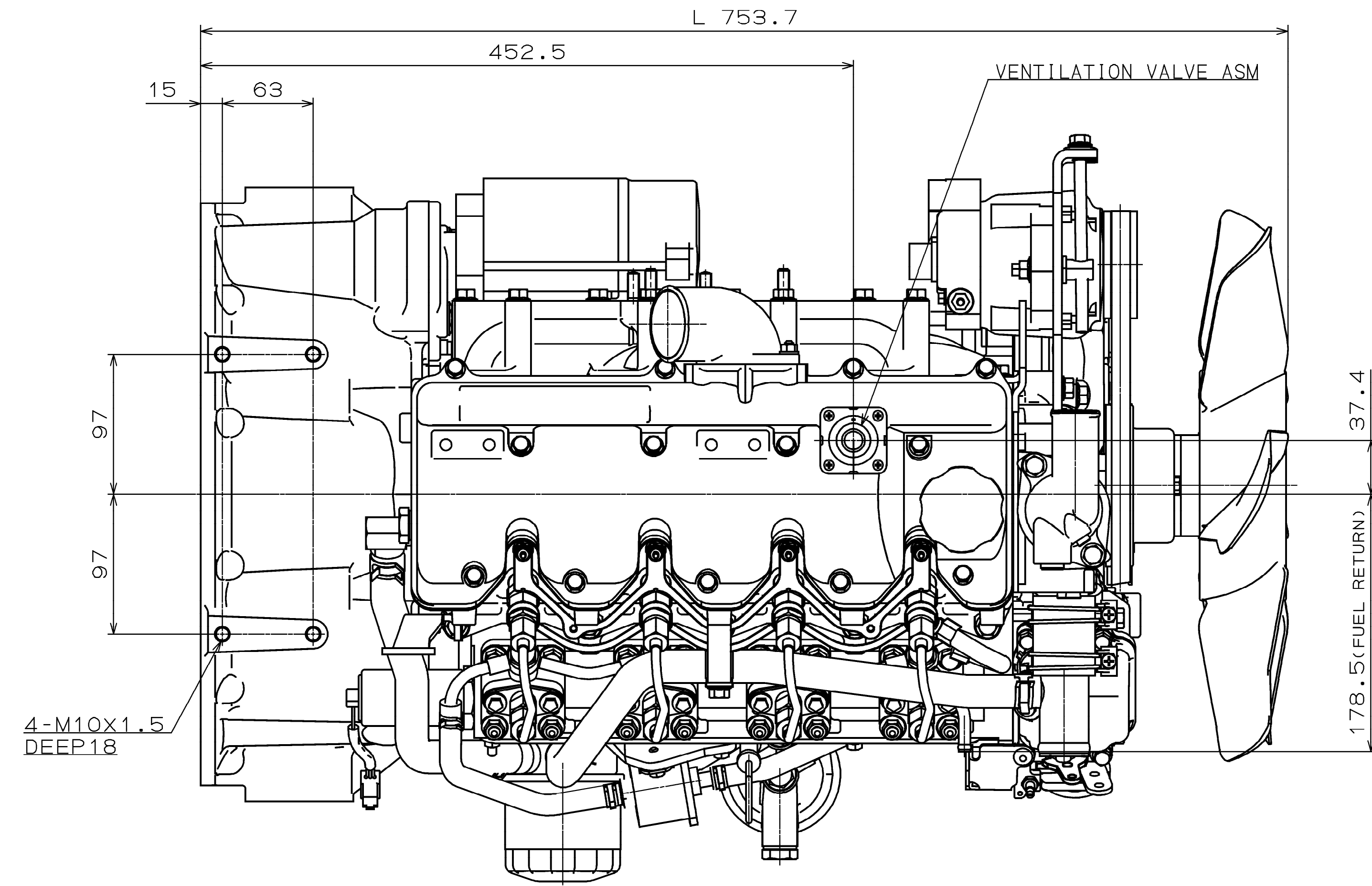
AV-4LE1NYBW-02
/GENERAL POWER

ISUZU MOTORS LIMITED	DATE '08-1-7
OFF-HIGHWAY POWER TRAIN DEPT.	① '08-10-24
DRW.No E3-1037-074-1	②
TCAE/ATE30914	

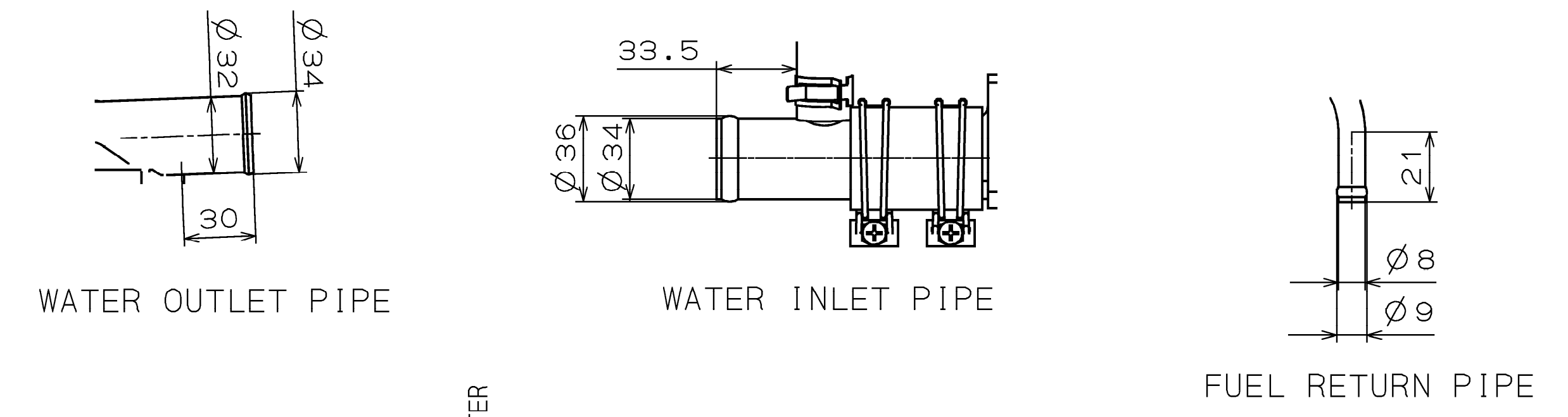
INVOLUTE SPLINE DIMENSIONS	
TOOTH FORM	FLAT ROOT SIDE
D.P.	16/32
PRESSURE ANGLE	30°
NUMBERS OF TEETH	9
DIAMETER OF BASIC PITCH CIRCLE	14.287
SPEED RATIO TO CLANK	ENG rpm:PTO rpm = 1 : 1.23
ROTATION DIRECTION	CLOCKWISE VIEWED FROM FAN SIDE



TIMING GEAR PTO



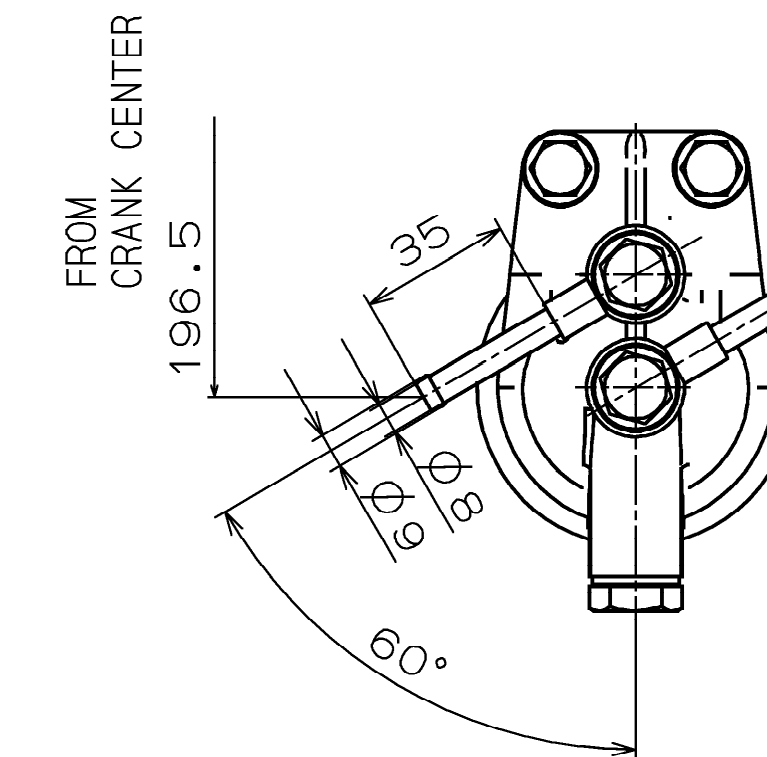
FLYWHEEL SECTION



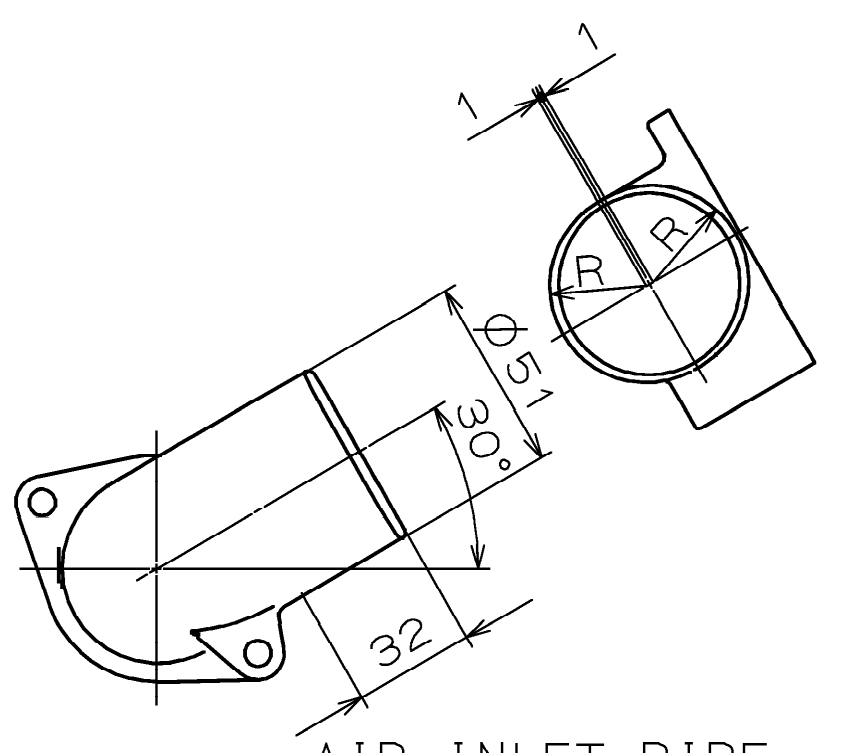
WATER OUTLET PIPE

WATER INLET PIPE

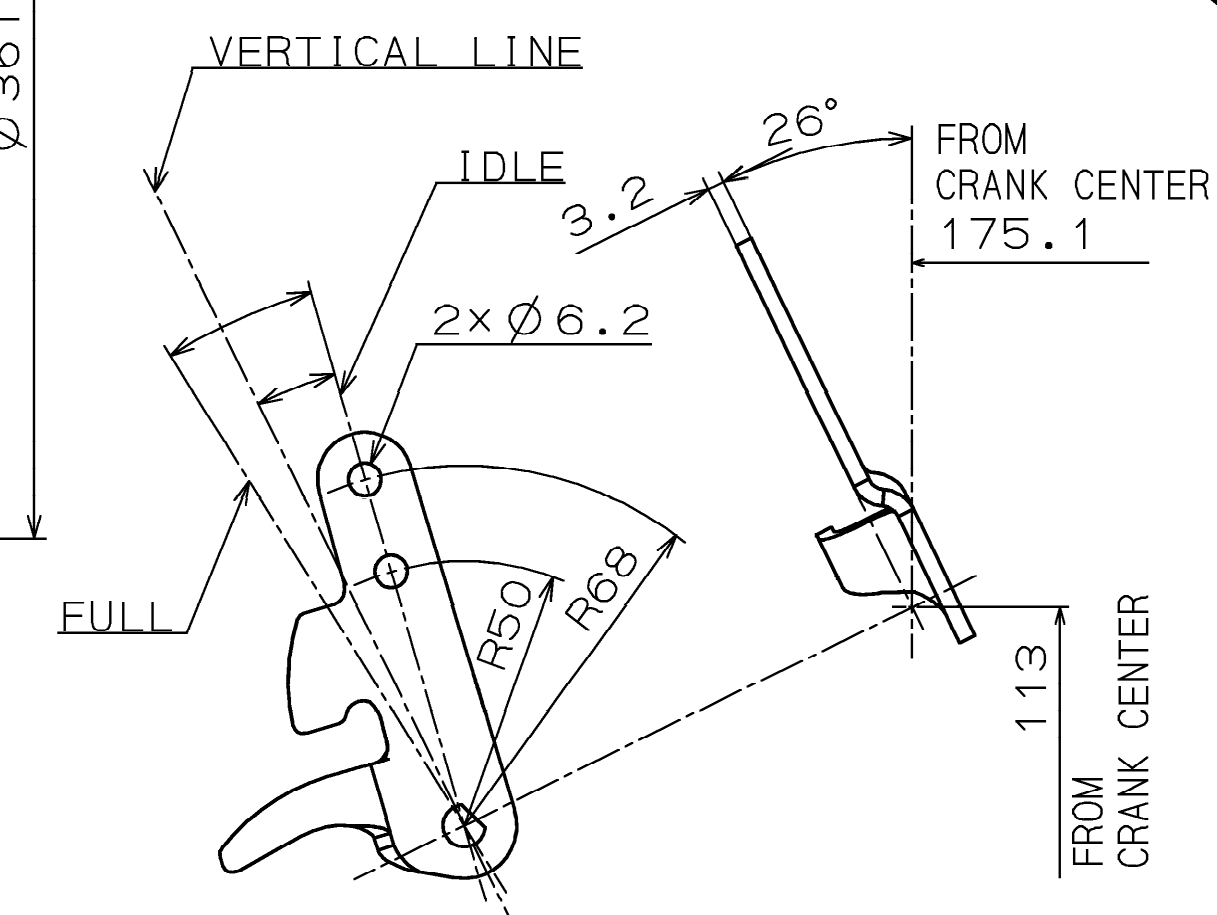
FUEL RETURN PIPE



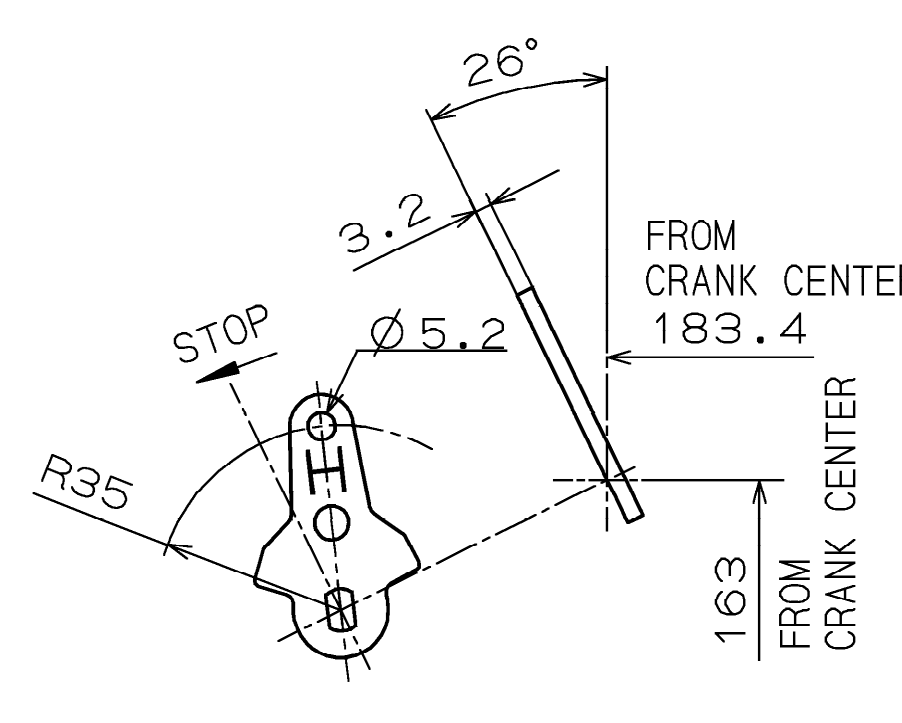
FUEL SUCTION PIPE



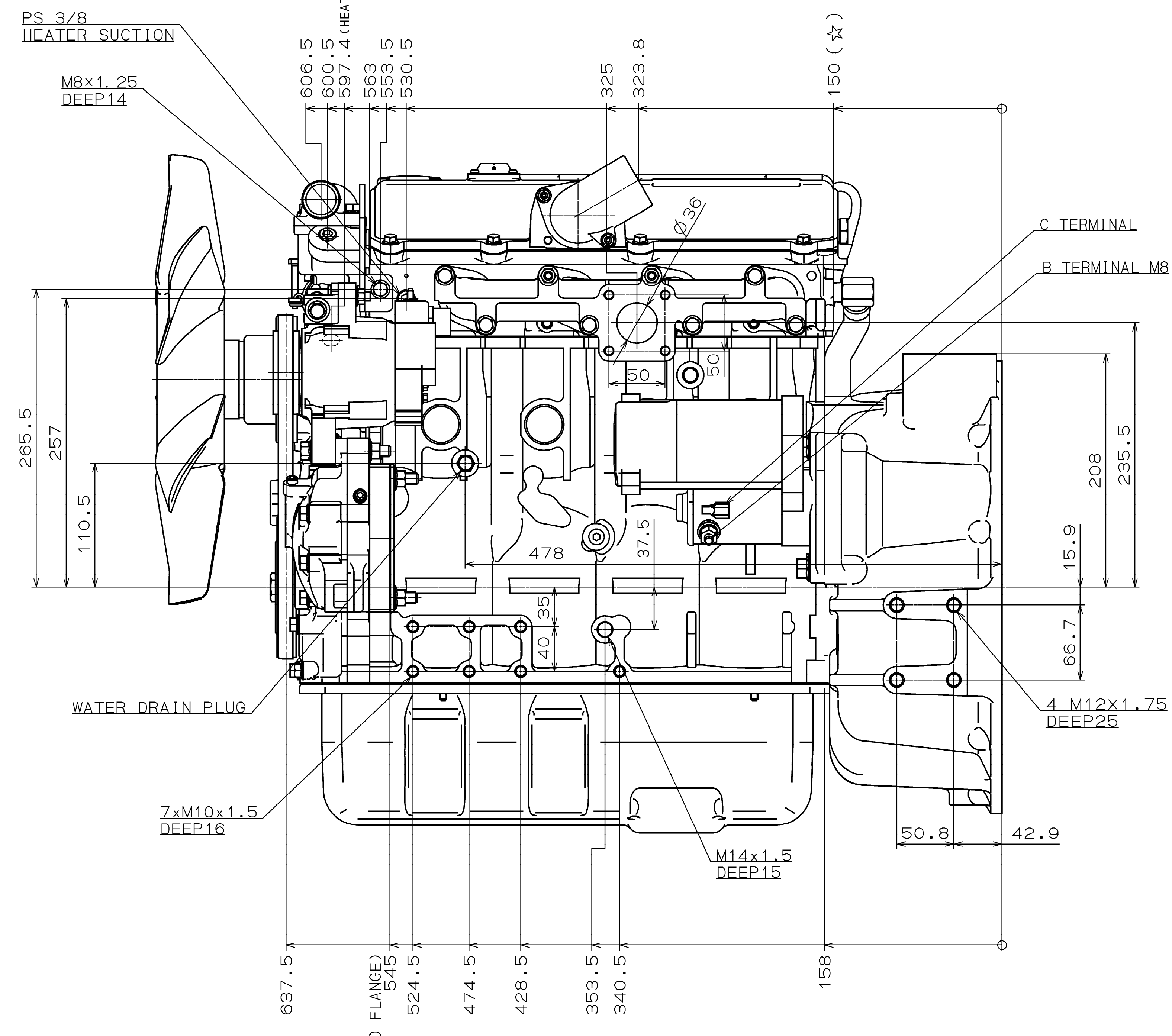
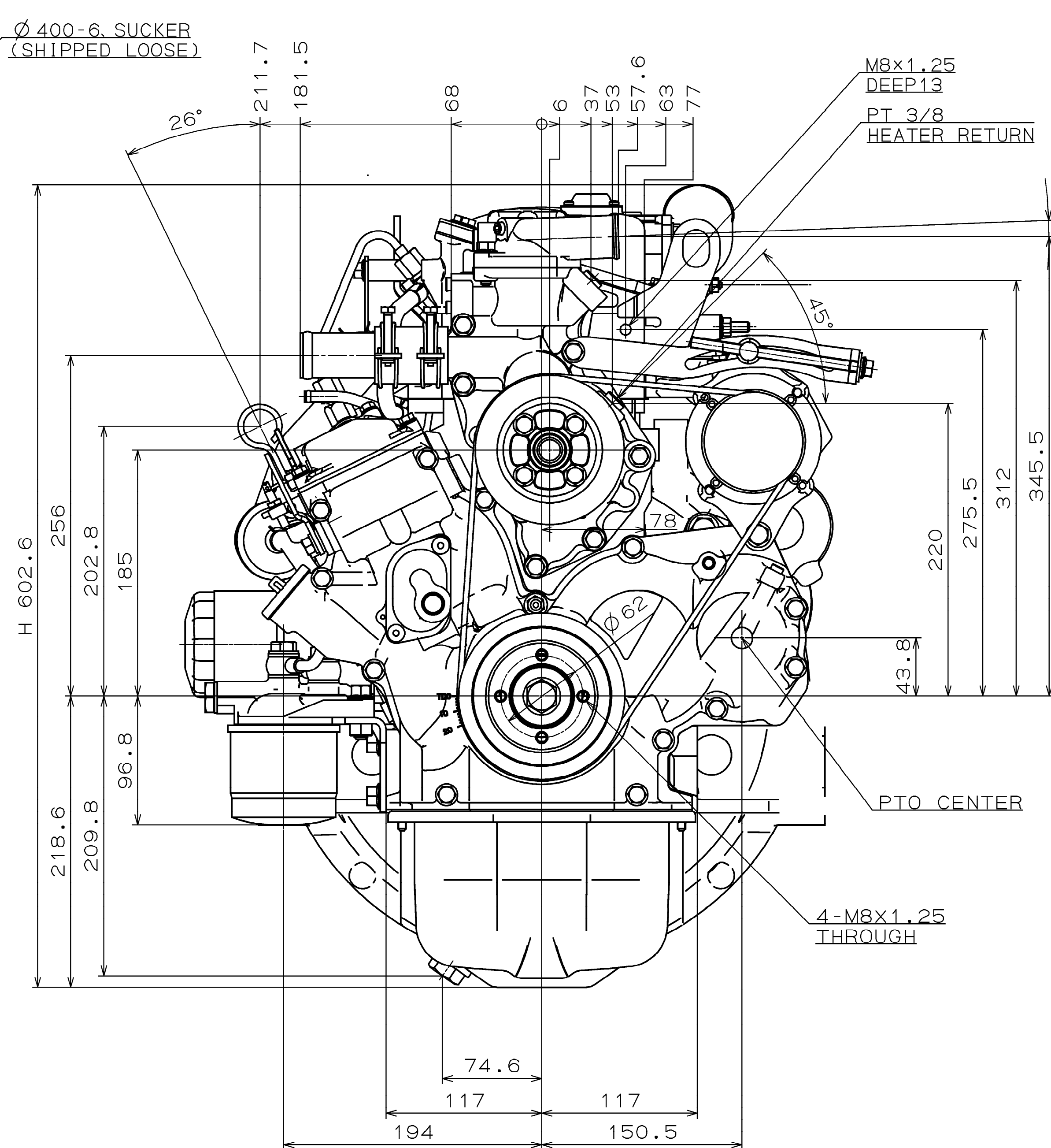
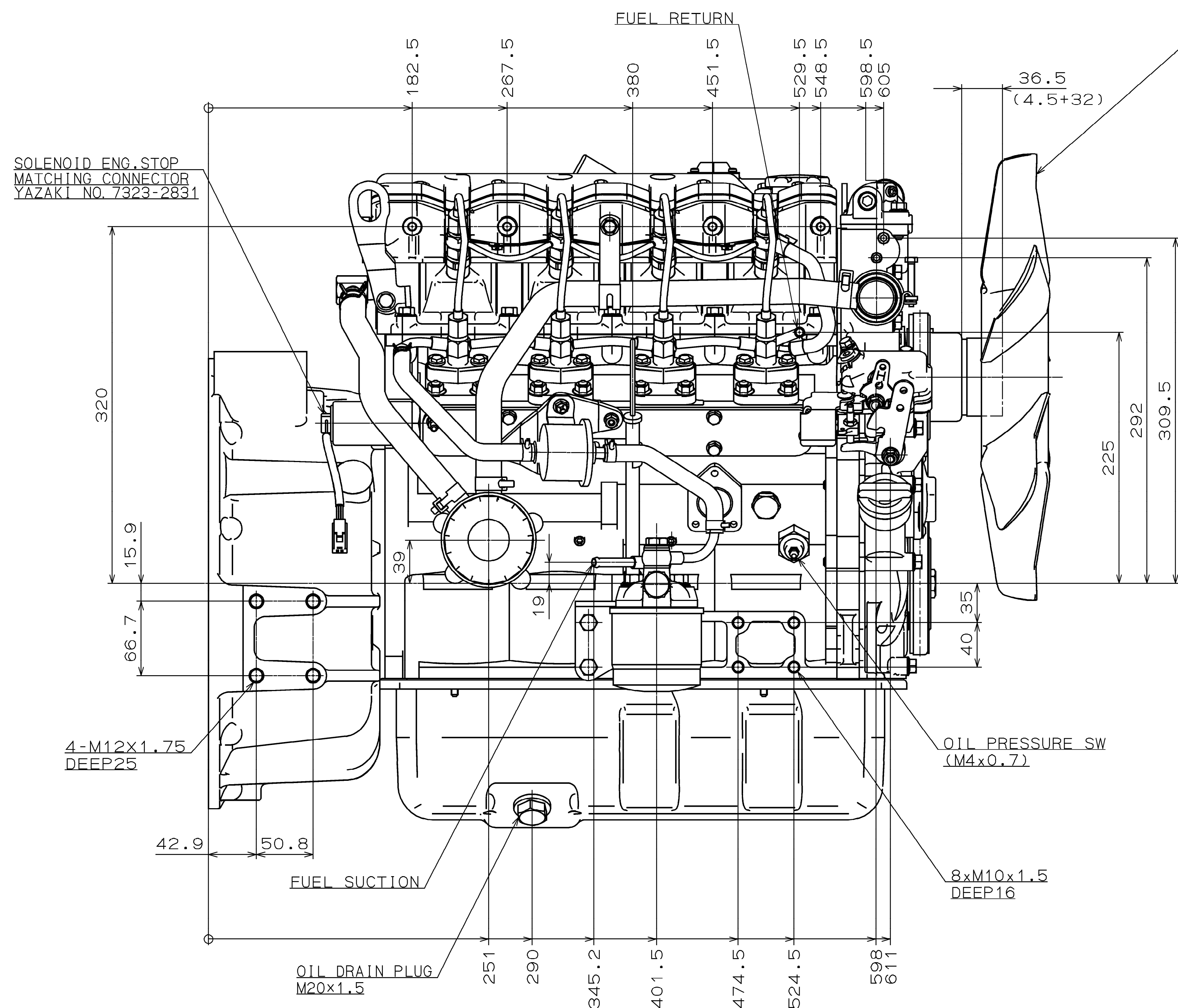
AIR INLET PIPE



CONTROL LEVER



FUEL CUT LEVER



WATER DRAIN PLUG

C TERMINAL

B TERMINAL M8