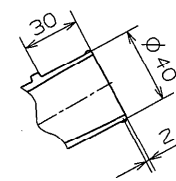
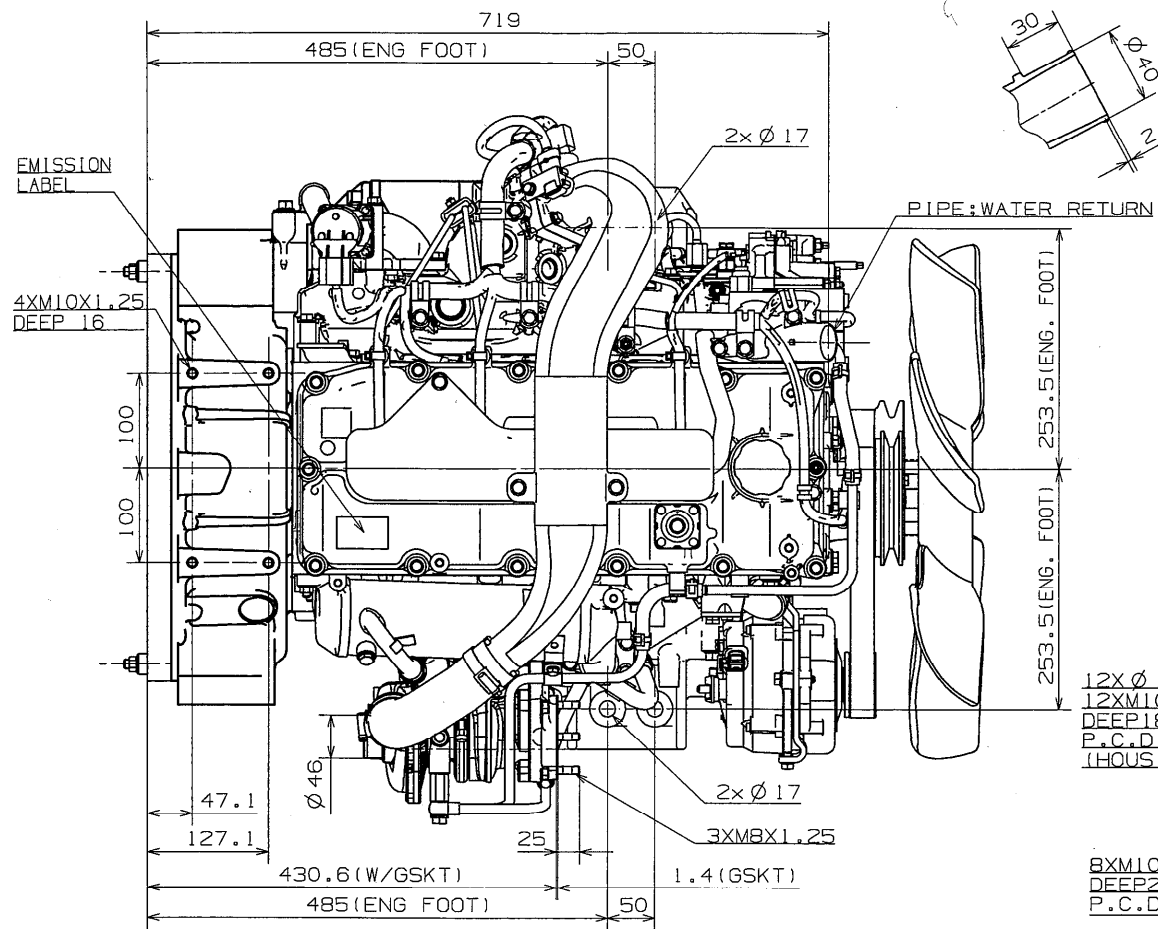


# ISUZU 4JJ1T DIESEL ENGINE

4JJ1TYGV-01

ISUZU MOTORS LIMITED	DATE	'07.07.25
OFF-HIGHWAY POWER TRAIN DEPT.		1 '07.12.21
DWG No.	E3-1040-023-1	

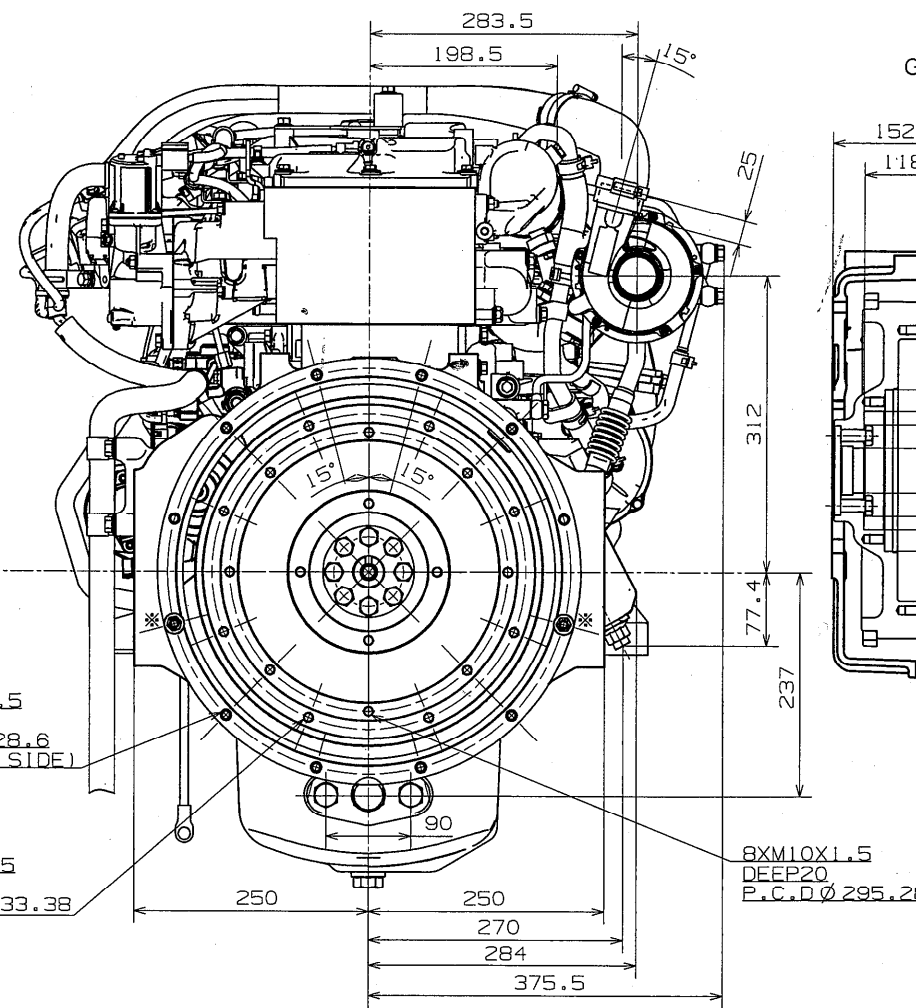
TCAE/AST77489 (FVO-707-0767)



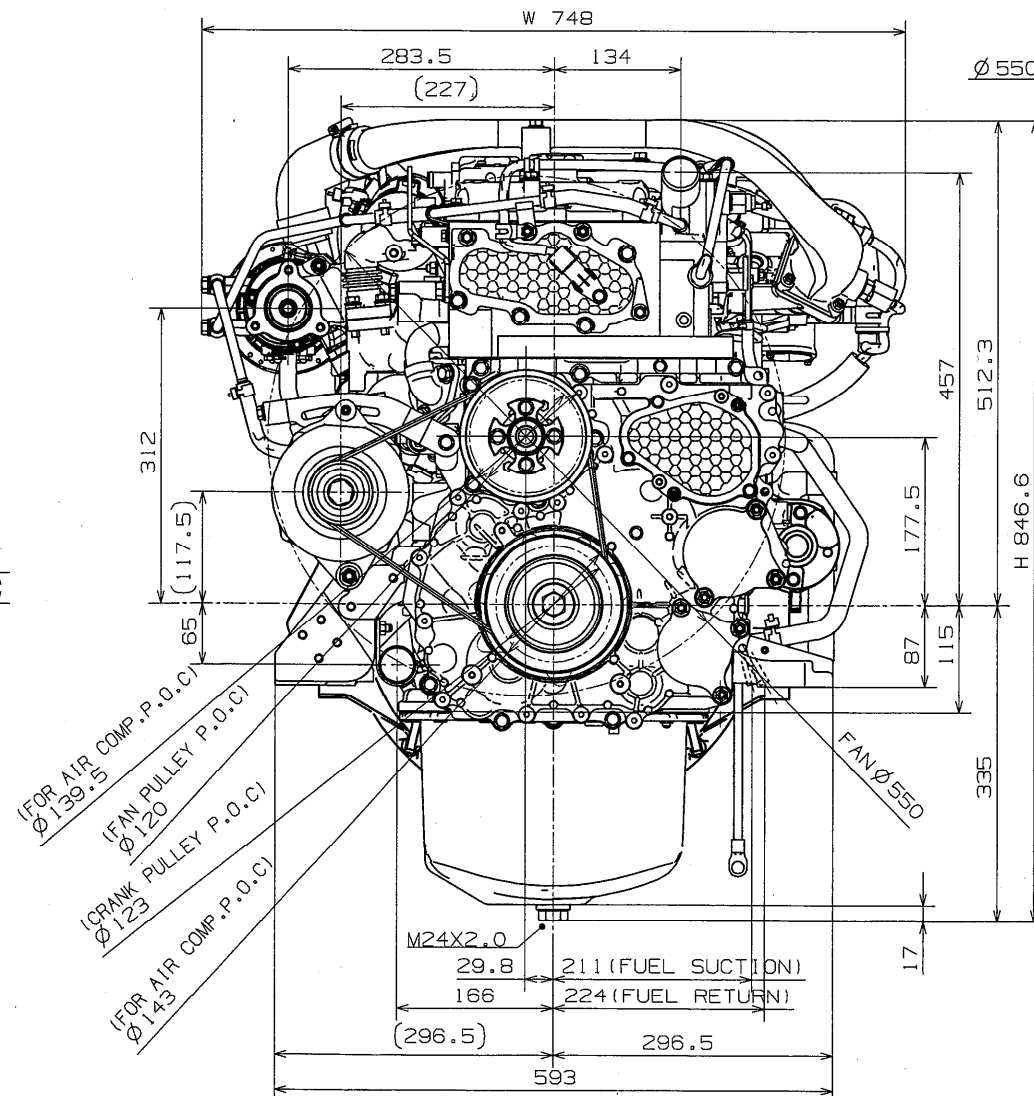
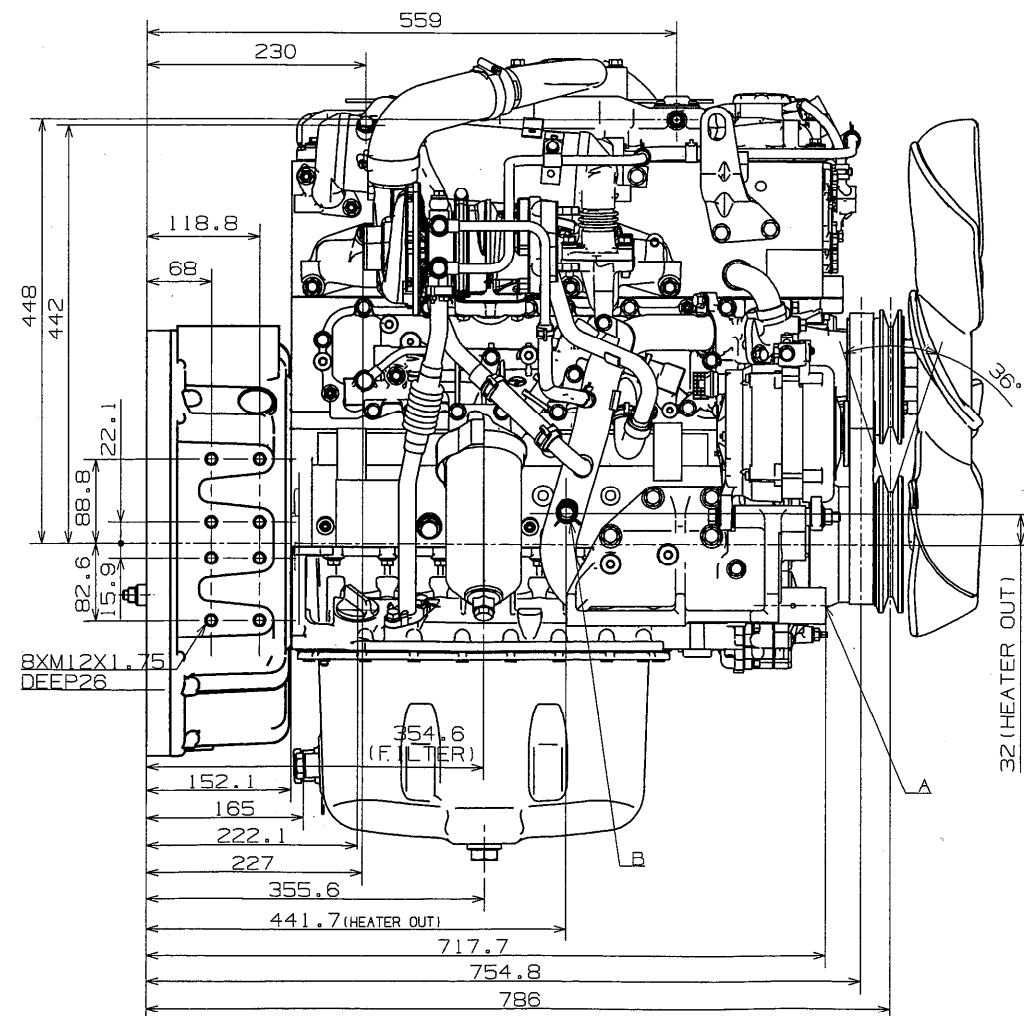
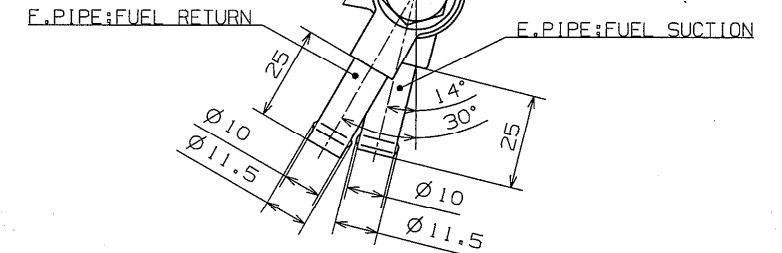
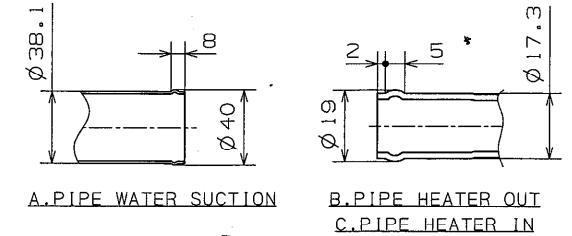
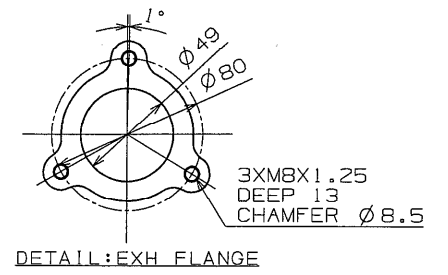
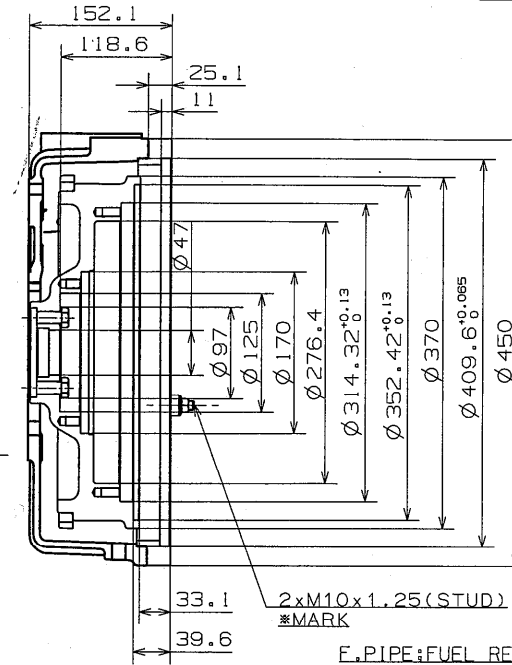
12X Ø 11  
12XM10X1.5  
DEEP 18  
P.C.D Ø 428.6  
(HOUSING SIDE)

8XM10X1.5  
DEEP 20  
P.C.D Ø 333.38

8XM10X1.5  
DEEP 20  
P.C.D Ø 295.28



GENERATOR (12V)



Ø 550-7-BLOWER

